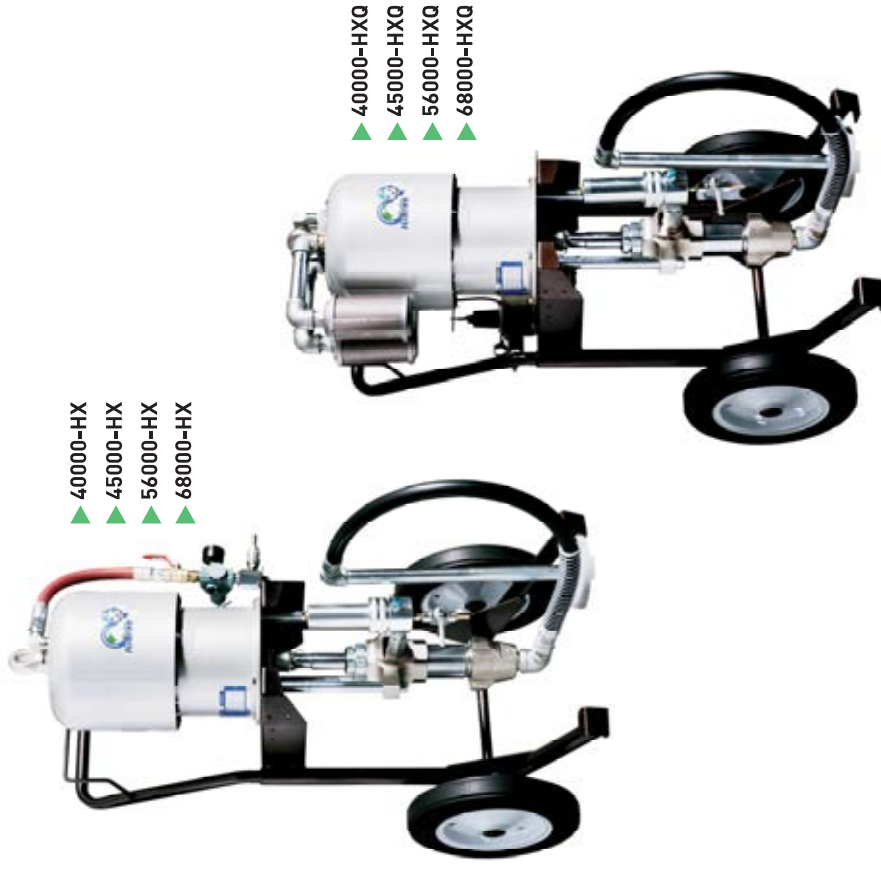
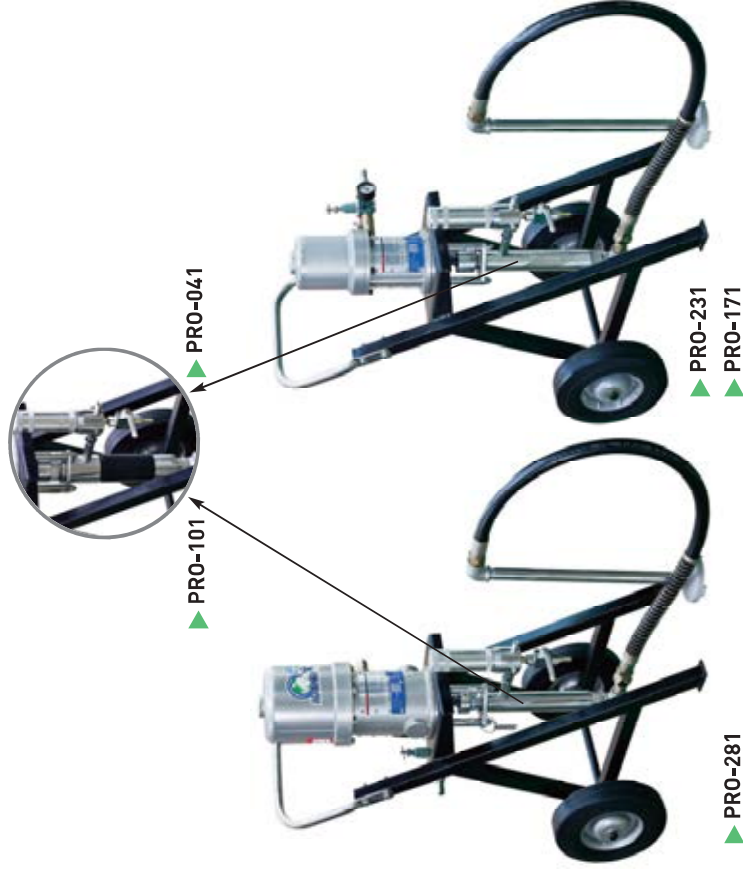


# Pro-HX Series



	40000-HX(Q)	45000-HX(Q)	56000-HX(Q)	68000-HX(Q)
<b>AIR MOTOR</b>				
DIS-PUMP	40200-HX	45200-HX	56200-HX	68200-HX
SURGE TANK	45300	45300	45300	45300
REGULATOR	28400(3/8" RI)	28400(3/8" RI)	28400(3/8" RI)	28400(3/8" RI)
SUCTION	28510	28510	28510	28510
CART	28600	28600	28600	28600
<b>FLUID PRESSURE RATIO</b>	40:1	45:1	56:1	68:1
CYCLE/min	290	250	50	180
DELIVERY(ml/cycle)	14.5	12.5	11	9
DELIVERY(ml/liter)	280	315	392	476
MAX. PRESSURE (bar)				
AIR PRESSURE (bar)				
STROKE (mm)	110(1/24(115))	107(12(112))	104(118(109))	107(115(106))
WEIGHT (NET/PACKING:KGS)			65(70x128 / 85(77x142))	
DIMENSION (NET/PACKING:CM)			65(70x128 / 85(77x142))	
TYPICAL FLUID HANDLED	ALKYL, EPOXY, URETHANE, WATER, ANTICORROSIVE PRIMER			
MAX. LOADAGE (20FT/40FT:UMH)	HIGH VISCOSITY PAINT, PRIMER, HIGH BUILD			

# Pro-Win Series



	Pro-Nare 281W / 28000-W	Pro-Nare 101 / 10000	Pro-Hemi 231 / 23000	Pro-Hemi 171 / 17000	Pro-Hemi 041 / 04000
<b>AIR MOTOR</b>					
DIS-PUMP	28200	10200	23200	28200	10200
SURGE TANK	28400(3/8" RI)	28400(3/8" RI)	28400(3/8" RI)	28400(3/8" RI)	28400(3/8" RI)
REGULATOR	28400(3/8" RI)	28400(3/8" RI)	28400(3/8" RI)	28400(3/8" RI)	28400(3/8" RI)
SUCTION	28510	28510	28510	28510	28510
CART	28600	28600	28600	28600	28600
<b>FLUID PRESSURE RATIO</b>	28:1	10:1	23:1	12:1	4:1
CYCLE/min	60.67	190.79	28.75	48.53	152.63
DELIVERY(ml/cycle)	3.64	11.45	1.73	2.91	9.16
DELIVERY(ml/liter)	196	70	161	84	28
MAX. PRESSURE (bar)					
AIR PRESSURE (bar)					
STROKE (mm)	100	37(1.5)	29(37)	29(37)	32(40)
WEIGHT (NET/PACKING:KGS)	34(42)	58(60(81) / 57(58)(107))	29(37)	29(37)	58(60(81) / 57(58)(107))
DIMENSION (NET/PACKING:CM)					
TYPICAL FLUID HANDLED	ALKYL, EPOXY, URETHANE, WATER, PRIMER, TOP COAT				
MAX. LOADAGE (20FT/40FT:UMH)	88(776)				
<b>Optional Code</b>	<b>Air Motor</b>	<b>Displacement pump</b>	<b>Characteristic</b>	<b>Delivery</b>	<b>Max. Pressure (bar)</b>
B2BA	Nare (28100-W)	285200	Separate	mL / Cycle	
B2BB	Cycle 60/min	28200	o	60.67	3.64
B2BC	Stroke 100mm	10200	o	60.67	3.64
B2CA	Hemi (23100)	285200	o	101	190.79
B2CB	Cycle 60/min	28200		12.1	48.53
B2CC	Stroke 80mm	23200		23.1	28.75
B2CD		10200		4.1	152.63